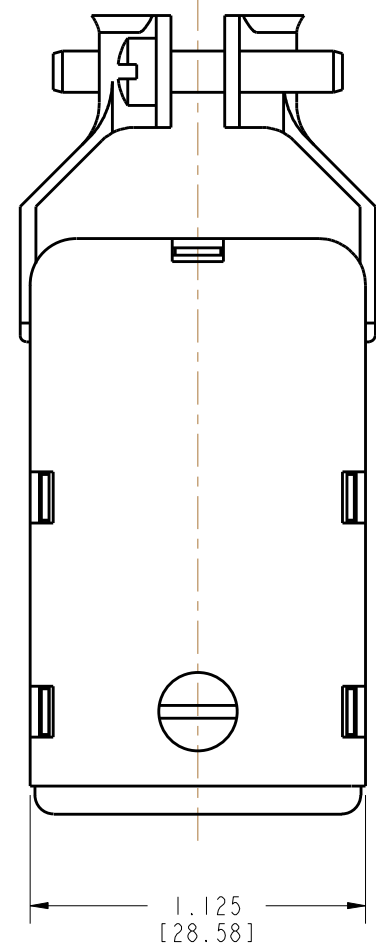
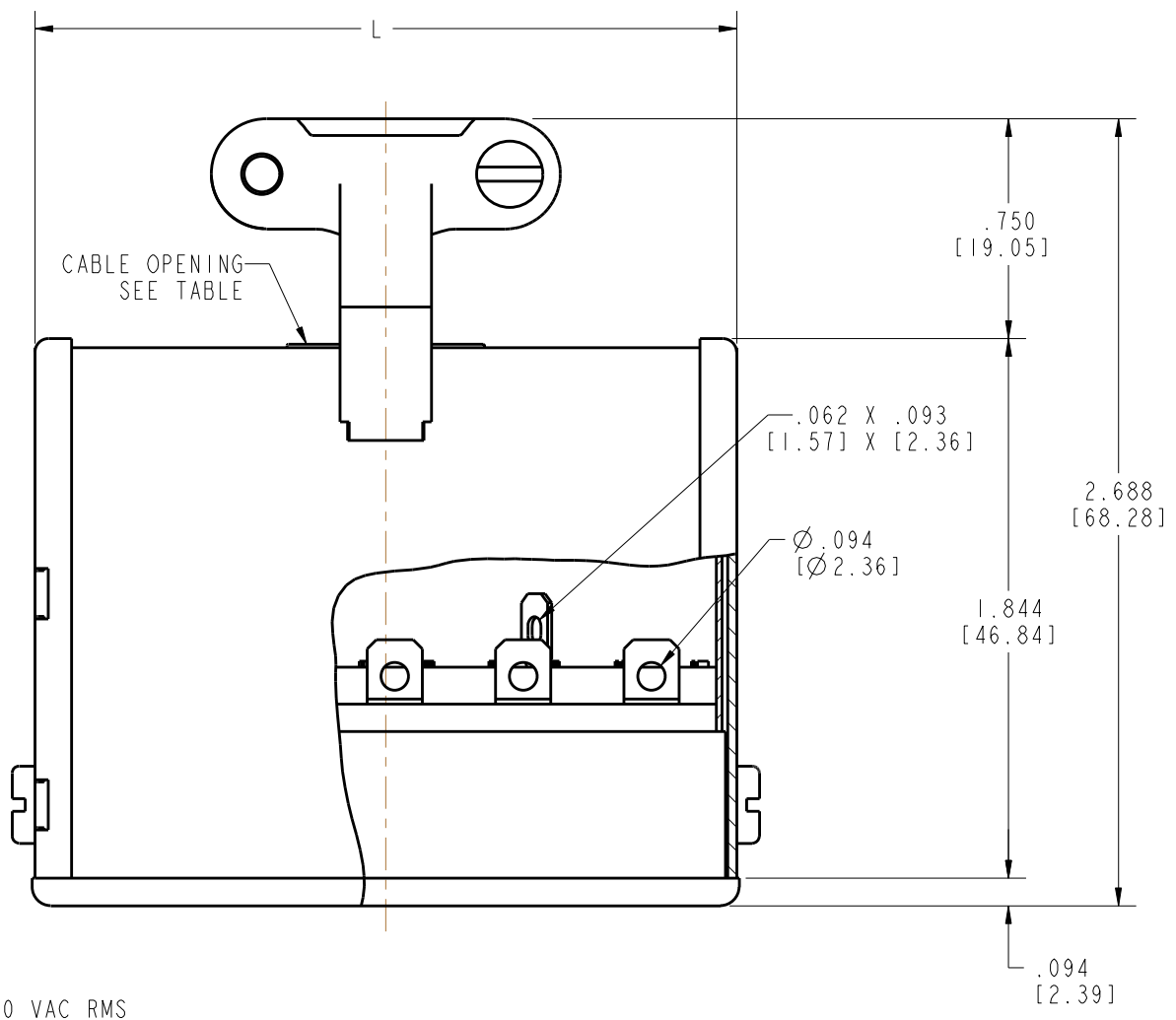


8 7 6 5 4 3 2 1

PART NUMBER	SIZE	L	CABLE OPENING	FACTORY NUMBER
S-2404H-CCT	4	1.063 [27.00]	.438 [11.13]	703 04 04 002
S-2406H-CCT	6	1.500 [38.10]	.438 [11.13]	703 04 06 002
S-2408H-CCT	8	1.938 [49.23]	.563 [14.30]	703 04 08 002
S-2410H-CCT	10	2.375 [60.33]	.563 [14.30]	703 04 10 002
S-2412H-CCT	12	1.813 [46.05]	.625 [15.88]	703 04 12 002

DRAWING REVISIONS			
REV	DOCUMENT	APP	DATE
B	WAS S-24084H-CCT	JOD	2/7/12



NOTES:

- SPECIFICATIONS:
  - ELECTRICAL:
    - OPERATING VOLTAGE: 250 VAC RMS
    - CURRENT RATING: 15 AMPS
    - CURRENT RESISTANCE: 1.0 MILLIOHMS MAXIMUM
  - INSULATOR: MOLDED MONBLOCK, GENERAL PURPOSE PHENOLIC, BLACK
  - CONTACT: PHOSPHOR BRONZE, MATTE TIN
  - BRACKET, SCREW: STEEL, ZINC WITH CLEAR TRVALENT CHROME
  - CAP: BLACK CRINKLE
  - LINER: PAPER, CELLULOSE BASED, UL 94V-0
  - ENVIRONMENTAL:
    - OPERATING TEMPERATURE: UP TO +105°C
  - TERMINATION: SOLDER
- DIMENSIONS IN [ ] ARE MILLIMETERS
- ALL DIMENSIONS ARE REFERENCE

**RoHS COMPLIANT**

UNITS <b>ENGLISH INCHES</b>		<b>PRO/E</b>		<b>CINCH</b>		MODELED BY: JIMENEZ	
DO NOT SCALE DRAWING		DRAWN BY JIMENEZ	DATE 8/1/06	TITLE 2400 SERIES, SOCKET CAP ASSEMBLY (CCT)			
UNLESS OTHERWISE SPECIFIED: ALL DIMENSIONS ARE IN INCHES		DESIGN ENGINEER A. BALI	8/1/06	MATERIAL		CONTROL SPEC NUMBER 06-1068	
FILLET/RADIUS .02 MAX		DESIGN ENGINEERING MGR. A. BALI	8/1/06	MATERIAL SPEC NUMBER		PROJECT NUMBER CI4789-2	
TOLERANCES XX ± .01 .XXX ± .005 ANGULAR ± .5°		MFG. ENGINEERING		CAD FILE NUMBER S2404HCCT		DRAWING NUMBER <b>S-2404H-CCT</b>	
THIS DOCUMENT IS THE PROPERTY OF CINCH. NEITHER THIS DOCUMENT NOR ANY OF THE INFORMATION CONTAINED IN IT MAY BE DUPLICATED OR DISCLOSED WITHOUT PRIOR WRITTEN CONSENT OF CINCH.		QUALITY ASSURANCE		CAGE IDENT NO. SIZE 71785 B		SCALE 1.000 SHEET 1 OF 1	

8 7 6 5 4 3 2 1