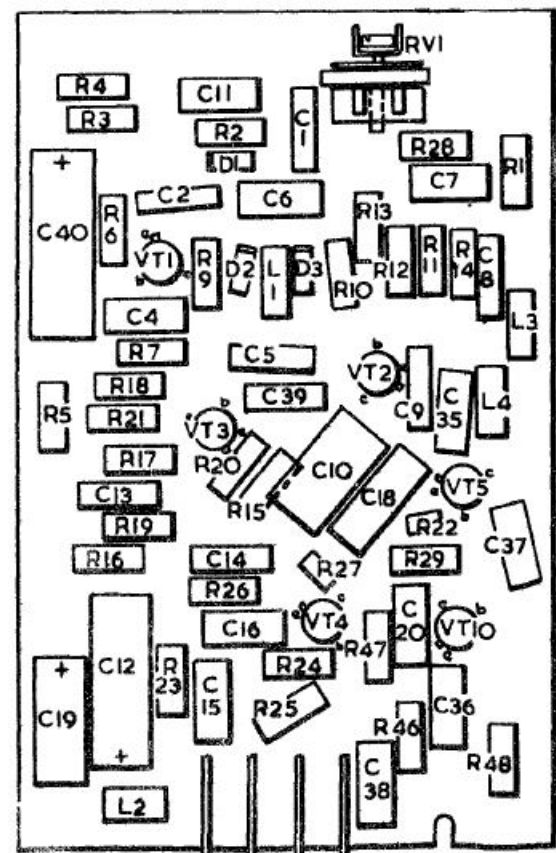
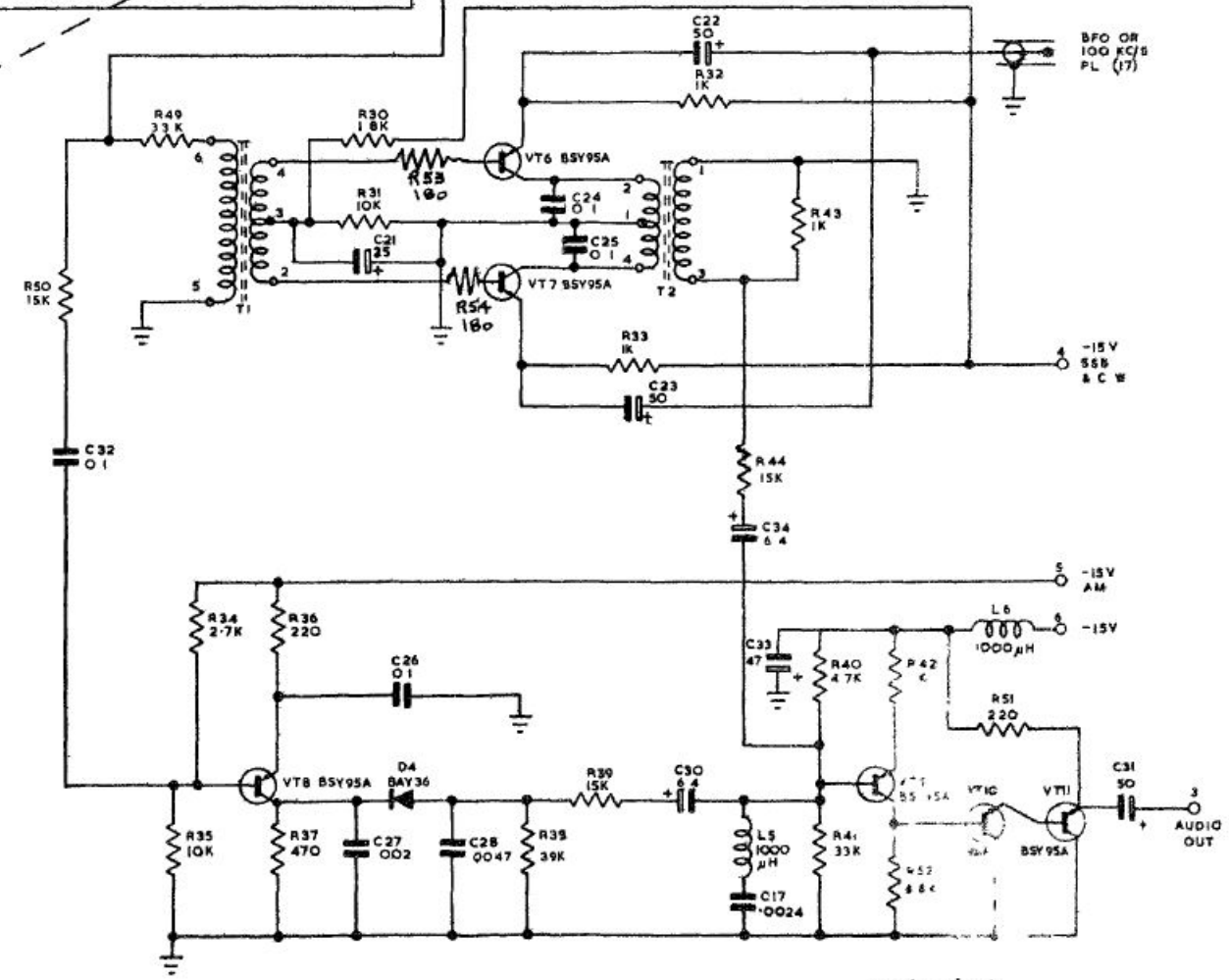


BOARD 7B DWG No 630/1/47774



BOARD 7A DWG No 630/1/47771



DWG No 630/1/47774

Modifications	Fig. 17	Issue 9
1	2	3
4	5	6
7	8	9
10	11	12

FIG. 17. PR 155 3rd. I. F. AMPLIFIER AND DETECTOR, MODULE 7 : CIRCUIT AND BOARD LAYOUT

FIG 17 MODULE.7