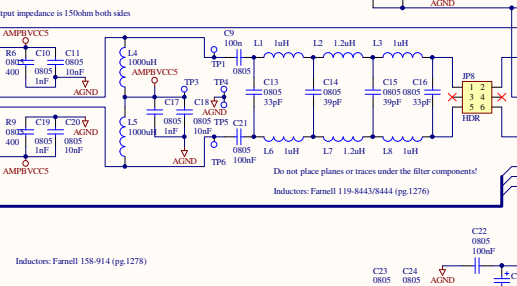


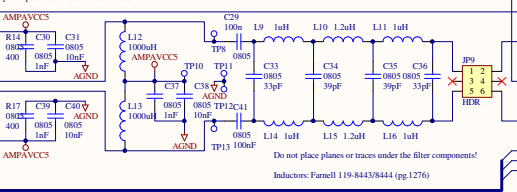
Place 100nF and 10nF caps on all power pin groups here

0 Ohm resistors are to disconnect highest antenna traces to prevent noise when ENV2810 part is not loaded

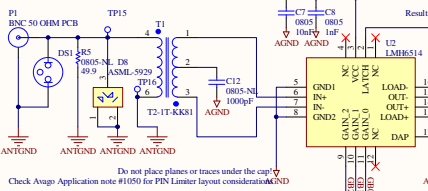
1st order Chebyshev 30MHz Low-pass filter
10MHz cutoff, Zero 150kHz, 0.2dB ripple, 7 components, configured to symmetrical.
The actual values for capacitors are 47/2pF, 82/2pF, 82/2pF and 47/2pF.
However, to have steeper slope at 30MHz cutoff (and, conveniently, a +1dB increase just before the cutoff point) the actual values of 33pF, 39pF, 39pF and 33pF are used. As a result the filter has 1.4dB overall ripple.
Calculator at
http://www.calculator.net/electronics/circuit/20p/920/w/30pass.htm



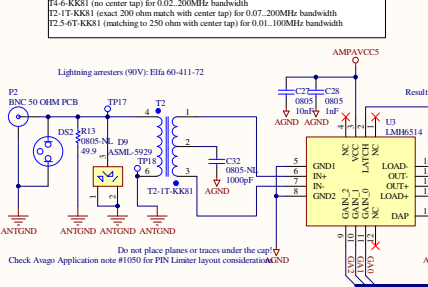
Resulting output impedance is 150ohm both sides
Inductors: Farnell 158-914 (pg.1278)



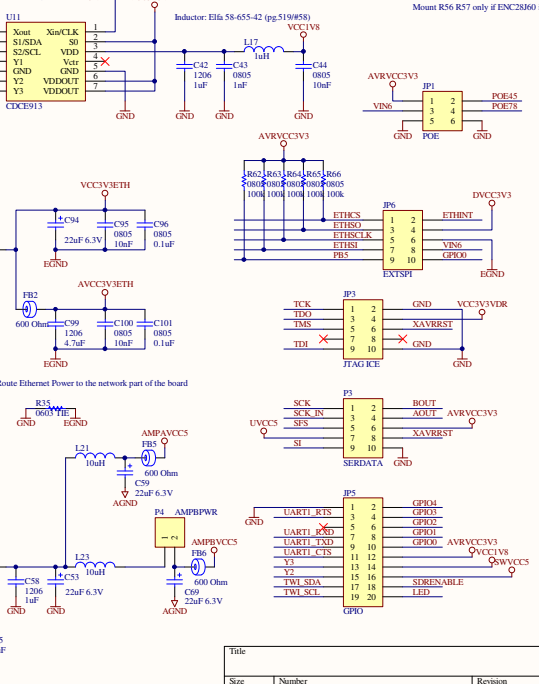
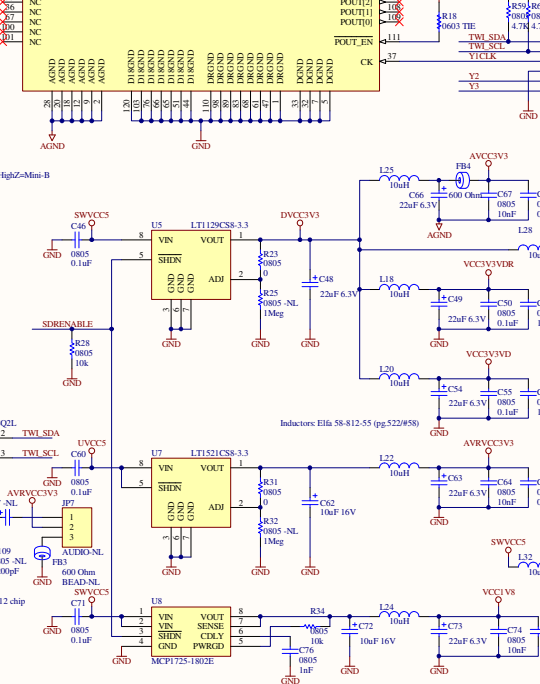
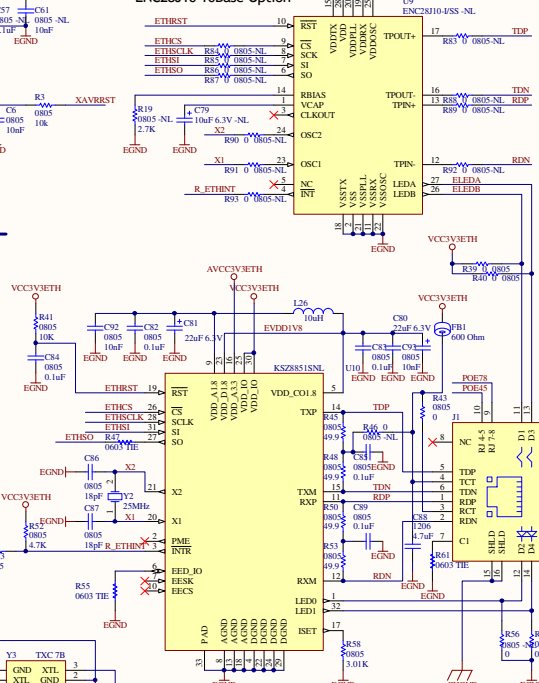
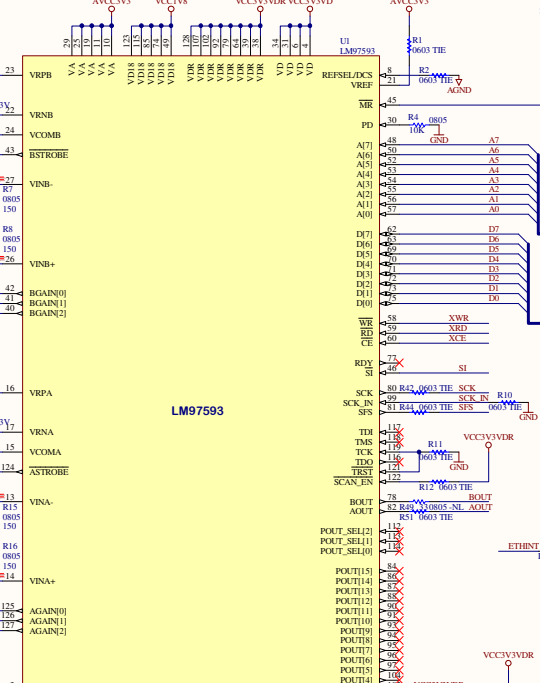
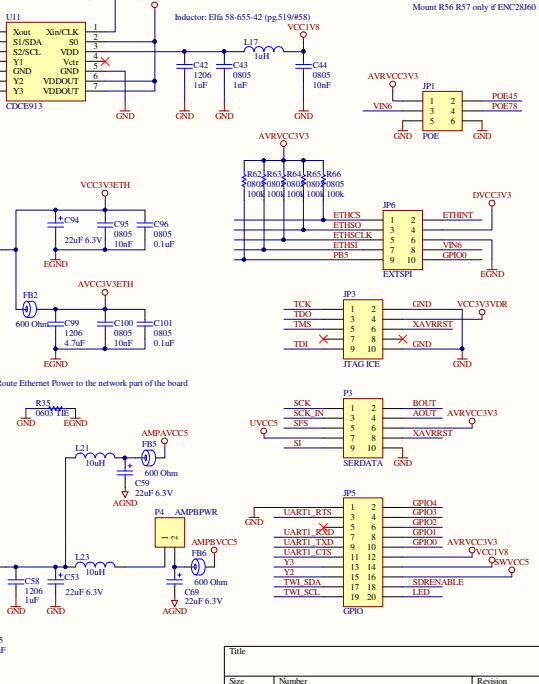
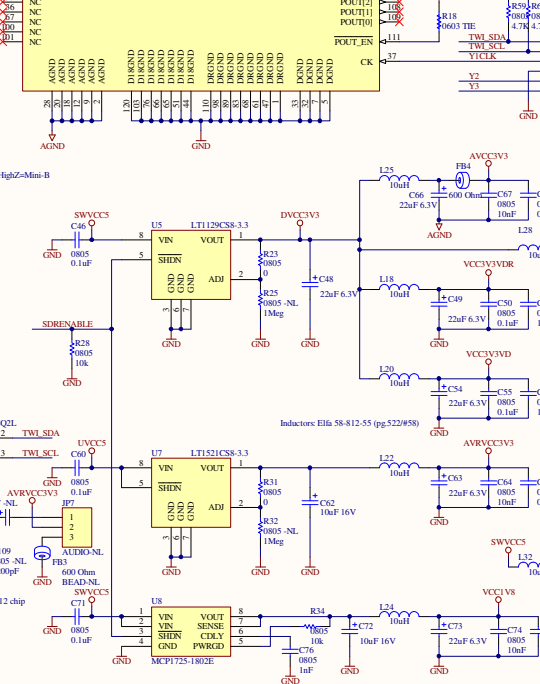
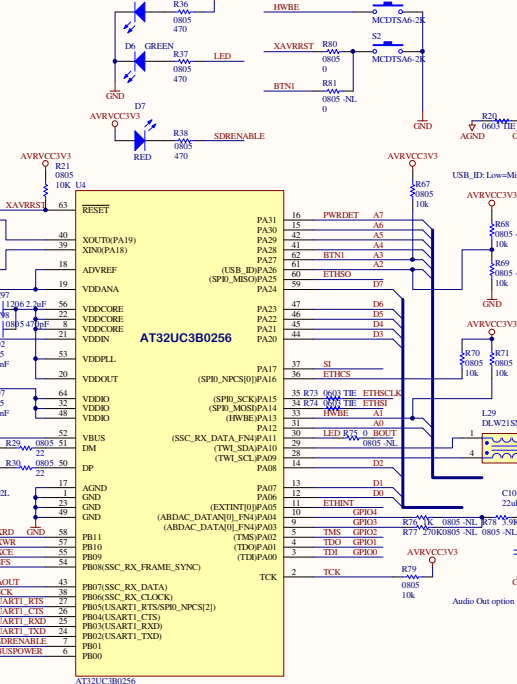
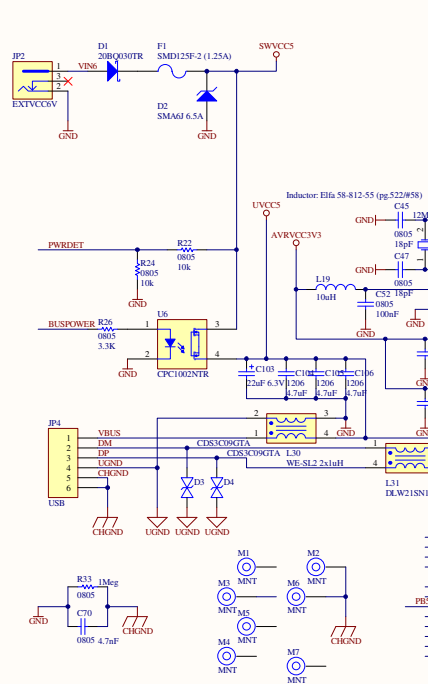
Resulting output impedance is 150ohm both sides
Inductors: Farnell 119-8443/8444 (pg.1276)



Check Avago Application note #1050 for PIN Lattice layout considerations



Check Avago Application note #1050 for PIN Lattice layout considerations



Title	Number	Revision
Date:	11/15/2011	Sheet of
File:	C:\Engineering\USR_MK1_v1.0\SchDoc\Drawn	

Mod. Jaki s. also 6-600834-1 (digikey part #A0645) compatible
TEL: 606834-1-1